

Katrin Inclusive Soap Dispenser 1000 ml

92209

- Same dispenser can be used for Liquid Wash, Foam Wash, Hand Disinfectant Gel, Liquid Wash Sanitizer, Toilet Seat Sanitizer, Shower Gel.
- Easy to refill with new soap cartridge system. The full-face push cover makes using the dispenser effortless for all people.
- Braille instructions for the visually impaired.



ISO 9001 ISO 14001

Product



x 100 mm
y 291 mm
z 130 mm

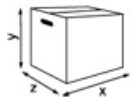


Black



0,427 kg

Transport package



x 108 mm
y 303 mm
z 138 mm



1

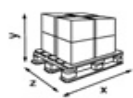


0,542 kg



6414300090229

Pallet information



x 800 mm
y 1059 mm
z 1200 mm



189

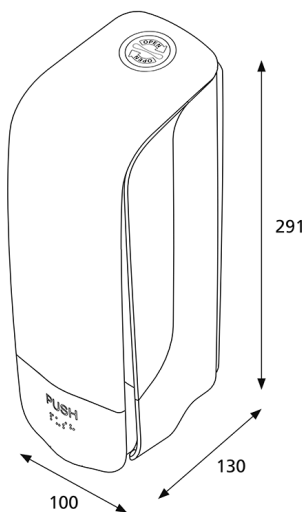


127,588 kg



6414300090236

Dimensions



Positioning guide

